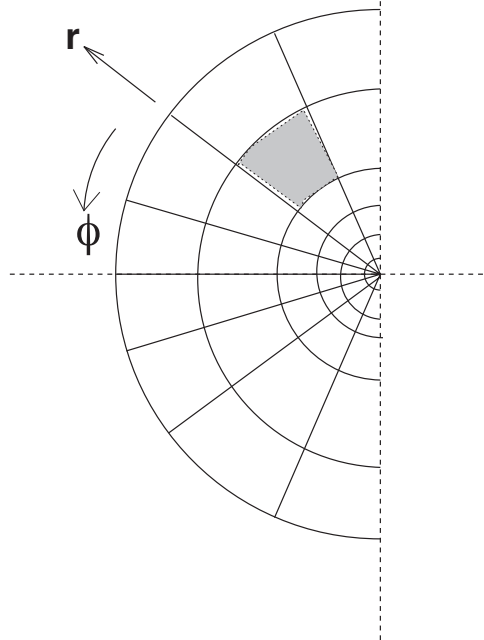
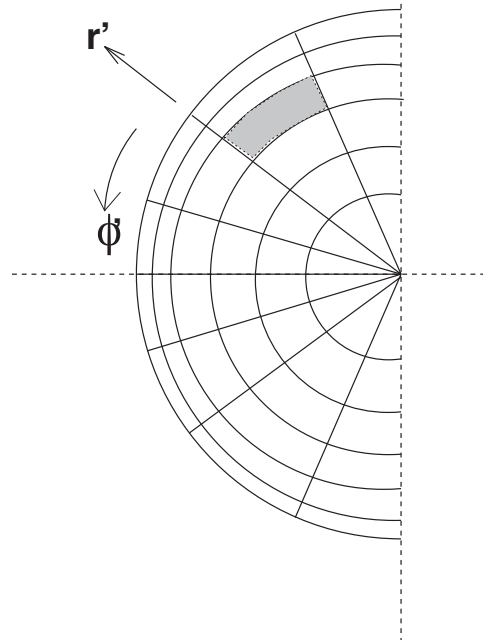
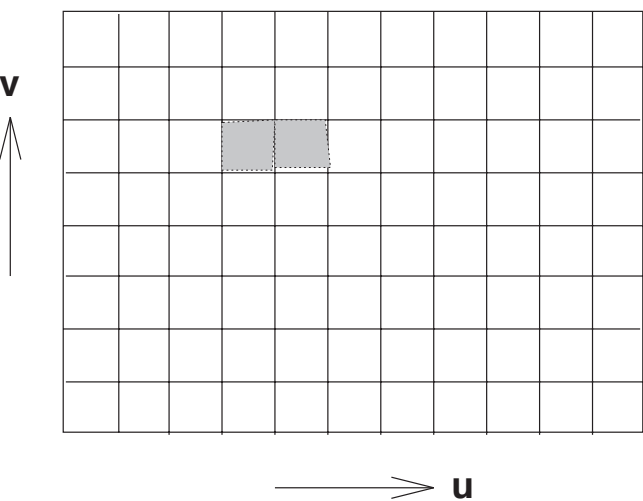
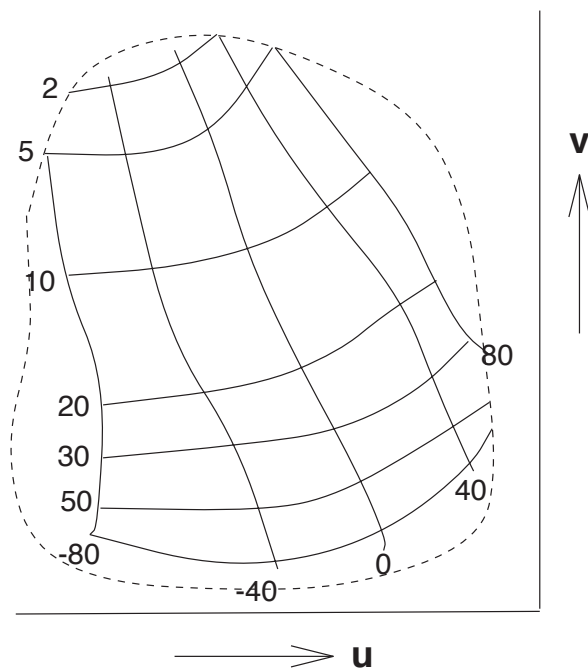


A**Visual Field****B****Neural Field****C****Complex-Logarithmic Mapping****D****Superior Colliculus Stimulation Map**